

CPHI

High Intensity Quartz Faced Radiant Heater *(cont'd.)*

CPHI heaters produce micron levels between 2.5 and 6.0. At these micron levels the majority of the CPHI heaters fall into the middle of the IR spectrum, categorizing them as medium wave heaters.

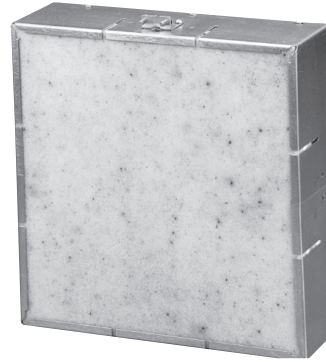
Single heating elements or multiple elements can be zoned and wired to achieve specific heating profiles.

Outer edges of the element can have gradual increasing watt density to compensate for production edge losses.

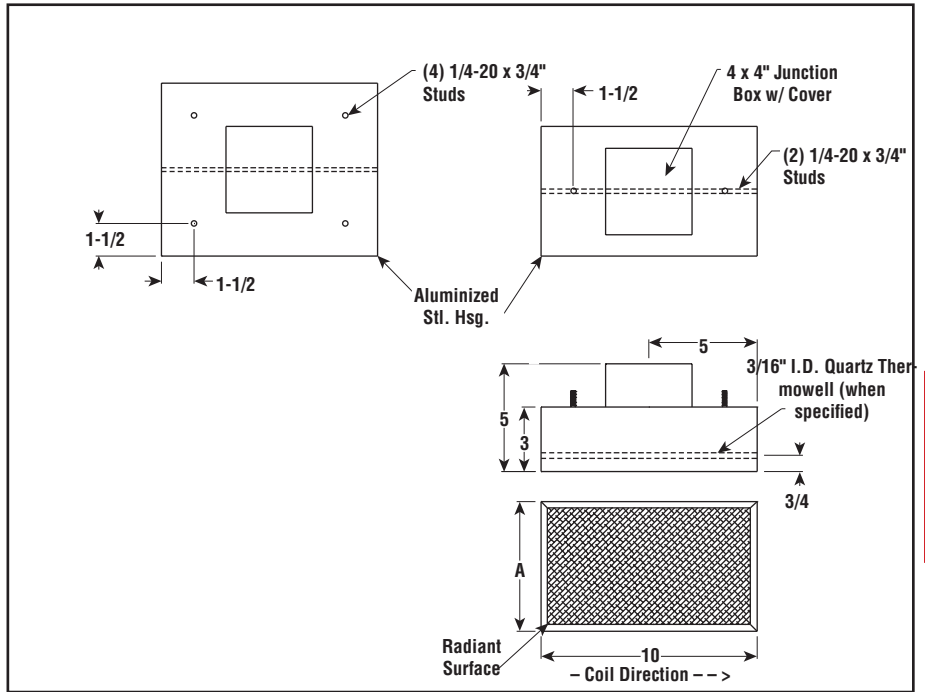
Easy to Control — The use of time proportioning control with closed loop feedback, such as Chromalox 2104 temperature controllers, magnetic contactors or SCR power controllers assure easy and dependable system control. Thermowells may be offered in two locations in the heater interior. Suitable to accept Chromalox standard thermocouples, they sense emitter temperature ensuring accurate wavelength emission. Fast response time of the unit reduces thermal lag.

Overtemperature Control — It is strongly recommended that these units be controlled such that overheating and premature failure do not occur. This is of particular importance in oven usage, where high ambient temperatures exist.

CAUTION — Hazard of Fire. These radiant heaters must not be operated in the presence of flammable vapors, gases or combustible materials without proper ventilation and/or other safety precautions in compliance with either the National Fire Protection Bulletin 86A entitled "Ovens and Furnaces" or the authority having jurisdiction.



Dimensions (Inches)



WIDE AREA

Specifications and Ordering Information

kW	Volts	W/In ²	DIM (In.)		Thermowell	No. Mtg. Studs	Model	Stock	PCN	Wt. (Lbs.)
			A	B						
1.6	240	40	4	10	No*	2 ¹	CPHI-0424	NS	224549	3
2.4	240/480	40	6	10	No*	2 ¹	CPHI-0624	NS	224557	5
3.2	240/480	40	8	10	No*	4	CPHI-0824	NS	224565	6.5
4	240/480	40	10	10	Yes	4	CPHI-1024T	NS	224573	8
4.8	240/480	40	12	10	No*	4	CPHI-1224	NS	224581	9.5

Stock Status: S = stock NS = non-stock

To Order — Specify model, PCN, kW, volts, phase, and quantity.

- For units with two mounting studs, locate each stud on the centerline of A dimension 1-1/2" in from the edge of the heater.

***Optional Features:**

Thermocouple well comes standard on CPHI-1024T PCN 224573

Thermocouple well - 3/16" I.D.

Thermowells are available on all models. To order, add suffix "T" to model number.